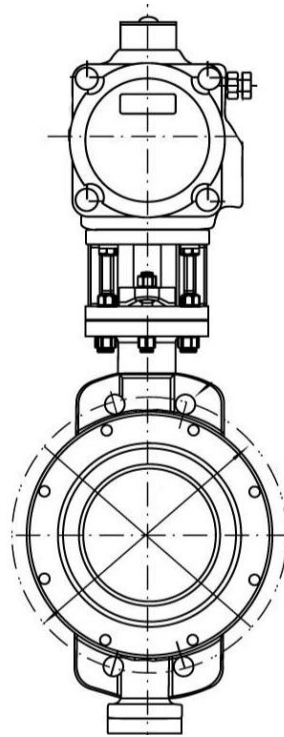


STANDARD SPECIFICATION

CHUANHU

气动三偏心硬密封蝶阀
Pneumatic three-eccentric center
Butterfly valve



上海川沪阀门有限公司

ShangHai Chuanhu Valve CO.,LTD

概述

三偏心硬密封蝶阀具有功能强、体积小、性能可靠、配套简单、流通能力大等特点。广泛应用于食品、环保、轻工、石油、造纸、化工、教学和科研设备、电力等行业的工业自动控制系统。

GENERAL

Three-eccentric center butterfly valve has the characteristics of strong function, small volume, reliable performance, simple matching, large flow capacity etc.. Butterfly valve is widely used in food, environmental protection, light industry, petroleum, papermaking, chemical industry, teaching and research equipment, electric power industry automatic control system

标准规格 STANDARD SPECIFICATION

公称通径 Body size	DN40~1200
公称压力 Body ratings	PN 1.6, 2.5,4.0 MPa ANSI Class 150, 300 Lb
尺寸标准 Dimension standard	国标、美标 GB, American standard
阀体材质 Body material	碳钢 Carbon steel(WCB), 不锈钢 Stainless steel(CF8, CF8M, CF3, CF3M)
阀座材质 Seat material	金属密封 (H、Y)、聚四氟乙烯 (F) H,Y, PTFE
作用方式 Mode of action	双作用、单作用 (弹簧复位) Double-acting/Single-acting type(spring reposition)
控制方式 Control	开关型、调节型 Switch type, Adjust type
附件选择 Selection of Accessories	电磁阀、定位器、限位开关、气源三联件、手动机构 Solenoid valve, Locator, Limit switch, F.R.L. COMBINATION UNIT, Manual Device

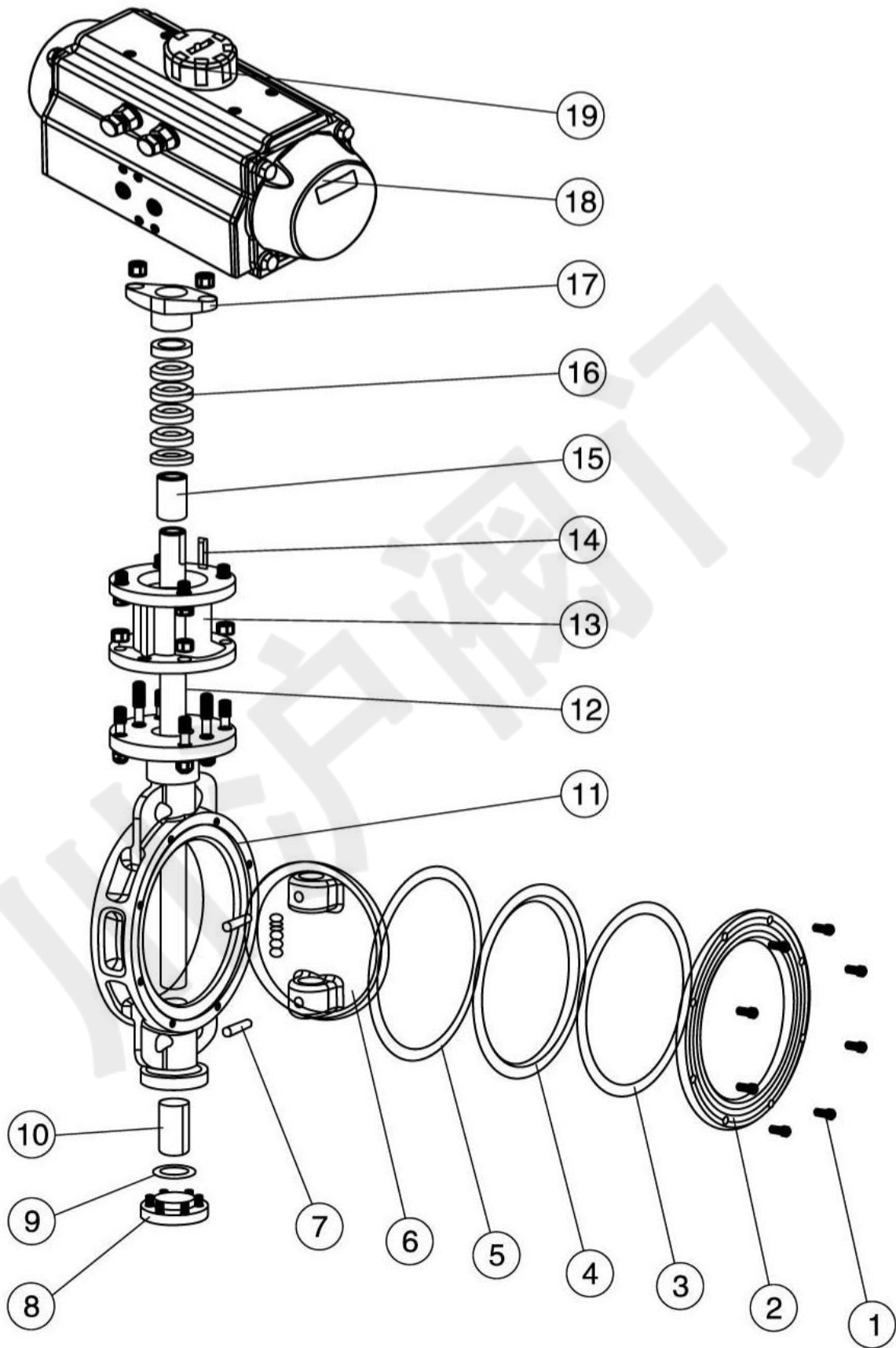
设计依据 Design Basis		GB 标准 Standard	ANSI 标准 Standard
设计标准 Design standard		GB/12238	API609
结构长度 Face to face dimension	对夹连接 Wafer connecting	GB/12221	ANSI B16.10
连接法兰尺寸 Connecting Flange Size		GB/9113. JB/T79	ANSI B16.5(2~24") ANSI B16.47(26~32")
试验和检验 Test & inspection		J B/T9092	API 598

※注：系列蝶阀结构长度及连接法兰尺寸可根据用户要求设计制造。

Note: The structural length and connecting flange size of butterfly valve series can be designed and manufactured as per users' requirements



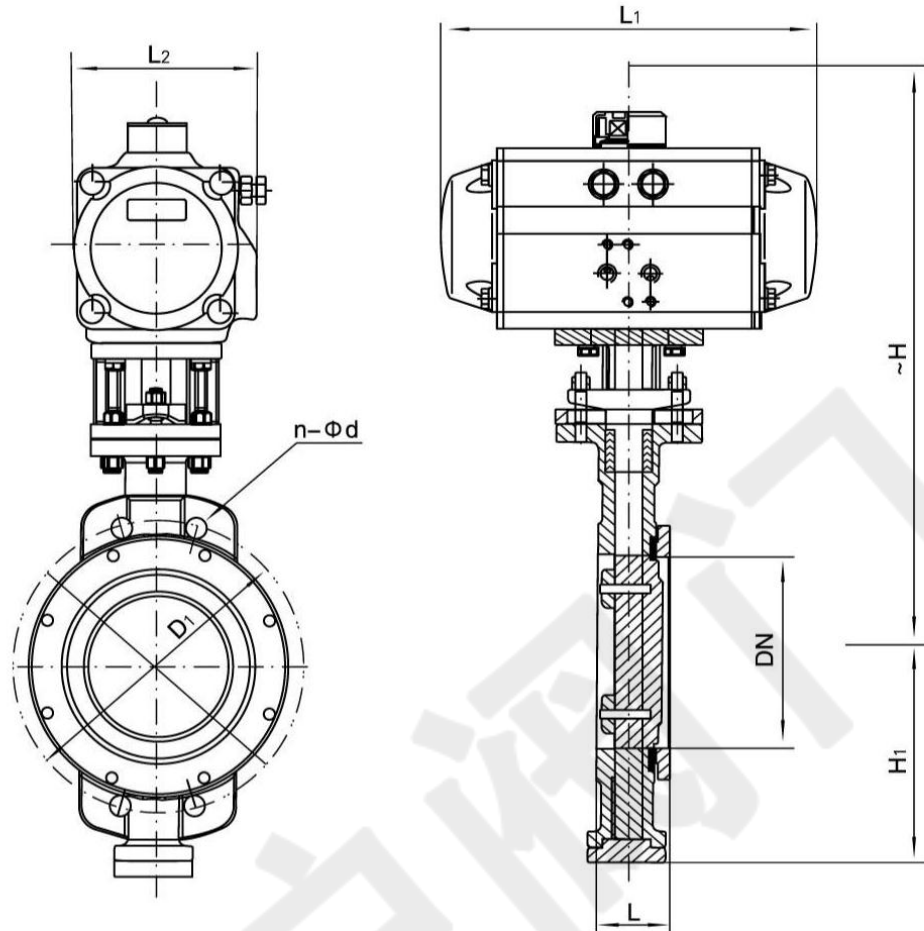
结构图和零件材质表 STRUCTURE AND MAIN MATERIAL TABLE



序号 No.	零件名称 Name of parts	材质 Material		
		C	P	R
1	内六角螺钉 Inner Hexagon Screw	1Cr18Ni9Ti	1Cr18Ni9Ti	1Cr18Ni12M02T
2	阀盖 Bonnet	WCB	1Cr18Ni9Ti	ZG1Cr18Ni12M02Ti
3	垫片 Gasket	1Cr18Ni9Ti	1Cr18Ni9Ti	1Cr18Ni12M02T
4	阀座 Seat	不锈钢+柔性石墨、PTFE Stainless Steel + Graphite、PTFE		
5	垫片 Gasket	1Cr18Ni9Ti	1Cr18Ni9Ti	1Cr18Ni12M02T
6	蝶板 Butterfly Plate	WCB	ZG1Cr18Ni9Ti	ZG1Cr18Ni12M02Ti
7	圆柱销 Straight Pin	45	1Cr18Ni9Ti	1Cr18Ni12M02T
8	下盖 Bottom Cover	WCB	ZG1Cr18Ni9Ti	ZG1Cr18Ni12M02Ti
9	垫片 Gasket	不锈钢+柔性石墨、PTFE Stainless Steel + Graphite、PTFE		
10	衬套 Bushing	PTFE 复合轴承 PTFE Composite Bearings		
11	阀体 Body	WCB	ZG1Cr18Ni9Ti	ZG1Cr18Ni12M02T
12	阀杆 Stem	1Cr13	1Cr18Ni9Ti	1Cr18Ni12M02Ti
13	支架 Yoke	WCB	WCB	WCB
14	链 Key	45	45	45
15	衬套 Bushing	PTFE 复合轴承 PTFE Composite Bearings		
16	填料 Packing	柔性石墨、PTFE Graphite、PTFE		
17	压盖 Gland	WCB	ZG1Cr18Ni9Ti	ZG1Cr18Ni12M02T
18	气动执行器 Pneumatic Actuator	AT 系列、AW 系列 AT Series. AW Series		
19	位置指示器 Location Indicator	塑料 Plastic		

※注：系列蝶阀主要零部件及密封圈的材质可根据实际工况条件或用户特殊要求设计选用。

Note: The main spare parts and sealing ring material of butterfly valve can be designed for you options according to real working conditions or user's special requirements.

主要外形及连接法兰尺寸 MAIN OUTLINE AND CONNECTING FLANGE SIZE

PN16 (1.6MPa) Dimension

公称通径 Nominal diameter DN	外形尺寸 Outline Size					连接尺寸 Connecting Size		执行器型号 Actuator Model
	L	L1	L2	~H	Hi	D1	n-φd	
50	43	159/211	83/95	277/205	65	125	4-φ18	AT063D/AT075S
65	46	211/248	95/107	287/315	75	145	4-φ18	AT075D/AT088S
80	46	248/269	107/123	365/375	85	160	8-φ18	AT088D/AT100S
100	52	269/315	123/141	420/436	130	180	8-φ18	AT100D/AT115S
125	56	315/345	141/152	436/462	175	210	8-φ18	AT115D/AT125S
150	56	345/409	152/172	466/543	190	240	8-φ22	AT125D/AT145S
200	60	409/438	172/187	593/665	215	295	12-φ22	AT145D/AT160S
250	68	438/559	187/215	682/752	265	355	12-φ26	AT160D/AT190S
300	78	550/600	215/240	725/772	305	410	12-φ26	AT190D/AT210S
350	78	600/633	240/262	832/880	340	470	16-φ26	AT210D/AT240S
400	102	633/730	262/330	862/968	360	525	16-φ30	AT240D/AT270S
450	114	633	262	945/1005	400	585	20-φ30	AT240D/AW25S
500	127	730	300	1058/1060	430	650	20-φ33	AT270D/AW25S
600	154	1320/1970	440/480	1108/1195	190	770	20-φ36	AW25/AW28S
700	165	1430/2700	480/560	1170/1255	555	840	24-φ36	AW28/AW35S
800	190	1430/2700	480/560	1325/1365	620	950	24-φ39	AW28/AW35S

PN25 (2.5MPa) Dimension

公称通径 Nominal diameter DN	外形尺寸 Outline Size					连接尺寸 Connecting Size		执行器型号 Actuator Model
	L	L1	L2	—H	Hi	Di	n-φd	
50	43	159/211	83/95	277/305	65	125	4-φ18	AT063D/AT075S
65	46	211/248	95/107	287/325	75	145	8-φ18	AT075D/AT088S
80	46	248/269	107/123	365/391	85	160	8-φ18	AT088D/AT100S
100	52	269/315	123/141	420/457	130	190	8-φ22	AT100D/AT115S
125	56	315/345	141/152	436/462	175	220	8-φ26	AT115D/AT125S
150	56	409/438	172/187	466/543	190	250	8-φ26	AT145D/AT160S
200	60	438/550	187/215	593/665	215	310	12-φ26	AT160D/AT190S
250	68	550/600	215/240	682/752	265	370	12-φ30	AT190D/AT210S
300	78	600/633	240/262	402/820	305	430	16-φ30	AT210D/AT240S
350	78	633/730	262/330	832/938	340	490	16-φ33	AT240D/AT270S
400	102	633/1700	262/440	910/968	360	550	16-φ36	AT240D/AW25S
450	114	730/1970	330/480	1005/1010	400	600	20-φ36	AT270D/AW28S
500	127	1180/1700	365/440	1058/1065	430	660	20-φ36	AW25/AW28S
600	154	1700/1970	440/480	1110/1195	490	770	20-φ39	AW28/AW35S
700	165	1320/2700	480/560	1255/1295	555	875	24-φ42	AW28/AW35S
800	190	1950/2700	560/580	1325/1365	620	990	24-φ48	AW35/AW40S

PN40 (4.0MPa) Dimension

公称通径 Nominal diameter DN	外形尺寸 Outline Size					连接尺寸 Connecting Size		执行器型号 Actuator Model
	L	L1	L2	—H	Hi	Di	n-φd	
50	43	211/248	95/107	277/305	65	125	4-φ18	AT075D/AT088S
65	46	248/269	107/123	310/341	75	145	8-φ18	AT088D/AT100S
80	46	269/315	123/141	375/412	85	160	8-φ18	AT100D/AT115S
100	52	315/345	141/152	436/462	130	190	8-φ22	AT115D/AT125S
125	56	345/438	152/187	462/513	175	220	8-φ26	AT125D/AT160S
150	56	438/600	187/240	543/615	190	250	8-φ26	AT160D/AT210S
200	60	550/633	215/240	665/760	215	320	12-φ30	AT190D/AT240S
250	68	600/633	240/262	752/858	265	385	12-φ33	AT210D/AT240S
300	78	633/730	262/330	820/880	305	450	16-φ33	AT240D/AT270S
350	78	730/1700	330/440	938/940	340	510	16-φ36	AT270D/AW25S
400	102	1180/1700	325/440	970/1055	360	585	16-φ39	AW20/AW25S
450	114	1180/1700	325/440	1005/1090	400	610	20-φ39	AW20/AW25S
500	127	1320/1970	440/480	1145/1185	430	670	20-φ42	AW25/AW28S
600	154	1430/2700	480/560	1195/1235	490	795	20-φ48	AW28/AW35S

Class150 Dimension

公称通径 Nominal diameter		外形尺寸 Outline Size					连接尺寸 Connecting Size		执行器型号 Actuator Model
DN	in	L	L1	L2	~H	Hi	Di	n-φd	
50	2	43	159/211	83/95	277/305	65	120.5	4-φ19	AT063D/AT075S
65	2½	46	211/248	95/107	287/325	75	139.5	4-φ19	AT075D/AT088S
80	3	46	248/269	107/123	365/391	85	152.5	4-φ19	AT088D/AT100S
100	4	52	269/315	123/141	420/457	130	190.5	8-φ19	AT100D/AT115S
125	5	56	315/345	141/152	436/462	175	216	8-φ22	AT115D/AT125S
150	6	56	345/409	152/172	466/543	190	241.5	8-φ22	AT125D/AT145S
200	8	60	409/550	172/215	593/665	215	298.5	8-φ22	AT145D/AT190S
250	10	68	538/600	187/240	682/752	265	362	12-φ25	AT160D/AT210S
300	12	78	550/633	215/262	702/820	305	432	12-φ25	AT190D/AT240S
350	14	78	600/633	240/262	832/938	340	476	12-φ29	AT210D/AT240S
400	16	102	633/730	262/330	910/968	360	540	16-φ29	AT115D/AT125S
450	18	114	633/730	262/330	1005/1010	400	578	16-φ32	AT115D/AT125S
500	20	127	730/700	330/440	1058/1065	430	635	20-φ32	AT270D/AW25S
600	24	154	1180/1700	365/440	1110/1195	490	749.5	20-φ35	AW20/AW25S
700	28	165	1320/1970	440/480	1255/1295	555	863.6	28-φ35	AW25/AW28S
800	32	190	1430/2700	480/560	1325/1365	620	978	28-φ41	AW28/AW35S

Class300 Dimension

公称通径 Nominal diameter		外形尺寸 Outline Size					连接尺寸 Connecting Size		执行器型号 Actuator Model
DN	in	L	L1	L2	~H	Hi	Di	n-φd	
50	2	43	211/248	95/107	277/305	65	127	8-φ19	AT075D/AT088S
65	2½	46	248/269	107/123	310/341	75	149	8-φ22	AT088D/AT100S
80	3	46	269/315	123/141	375/412	85	168.5	8-φ22	AT100D/AT115S
100	4	52	315/409	141/172	436/462	130	200	8-φ22	AT115D/AT145S
125	5	56	345/438	152/187	462/513	175	235	8-φ22	AT125D/AT160S
150	6	56	409/550	172/215	543/615	190	270	12-φ22	AT145D/AT190S
200	8	60	438/600	187/240	665/760	215	330	12-φ25	AT160D/AT210S
250	10	68	550/633	215/262	752/858	265	387.5	16-φ29	AT190D/AT240S
300	12	78	600/730	240/330	820/880	305	451	16-φ32	AT210D/AT270S
350	14	78	633/730	262/330	938/940	340	514.5	20-φ32	AT240D/AT270S
400	16	102	730/1700	330/440	970/1055	360	571.5	20-φ35	AT270D/AW25S
450	18	114	1180/1700	365/440	1005/1090	400	628.5	24-φ35	AW20/AW25S
500	20	127	1320/1970	440/480	1145/1185	430	686	24-φ35	AW25/AW28S
600	24	154	1430/2700	480/560	1195/1235	490	813	24-φ41	AW28/AW35S

※注：系列球阀结构长度及连接法兰尺寸可根据 JB/T79 标准或用户要求设计制造。

※注：数据 xxx/xxx 分别是气动执行器双作用式，单作用式（弹簧复位）。

※注：根据不同阀门扭矩、使用介质适配的执行器型号可能有所不同，相关尺寸随之变化。

※注：以上执行器配置及数据均采用软密封(F)阀门，硬密封阀门的配置及数据请咨询上海川沪阀门有限公司。

订货须知 ORDERING INFORMATION

代号 Code	材料 Material	适用温度(°C) Applicable Temperature
H	合金钢 304、316 Alloy Steel 304,31 6	-30—425
F	增强聚四氟乙烯 Reinforced Polyterafluoroethylene (PTFE)	-40—150
X	丁腈橡胶 Buna-N Rubber	-12~82
	乙丙橡胶 Ethylene-propylene Rubber	-35—110
	食品级乙丙胶 Food Ethylene-propylene Rubber	-35—110
	氟橡胶 Fluorous rubber	-12~135
J	全衬里丁腈橡胶 Full-lining Buna-N Rubber	-12—82
F4	全衬里聚四氟乙烯 Full-lining polyteafuoroethylene (PTFE)	-40—160

根据不同控制和要求可选择下列附件：

切断型附件：单电控电磁阀、双电控制电磁阀、限位开关回讯器。

调节型附件：电-气定位器、电气转换器。

气源处理附件：空气过滤减压阀、气源处理三联件。

手动机构：XLHJ 系列

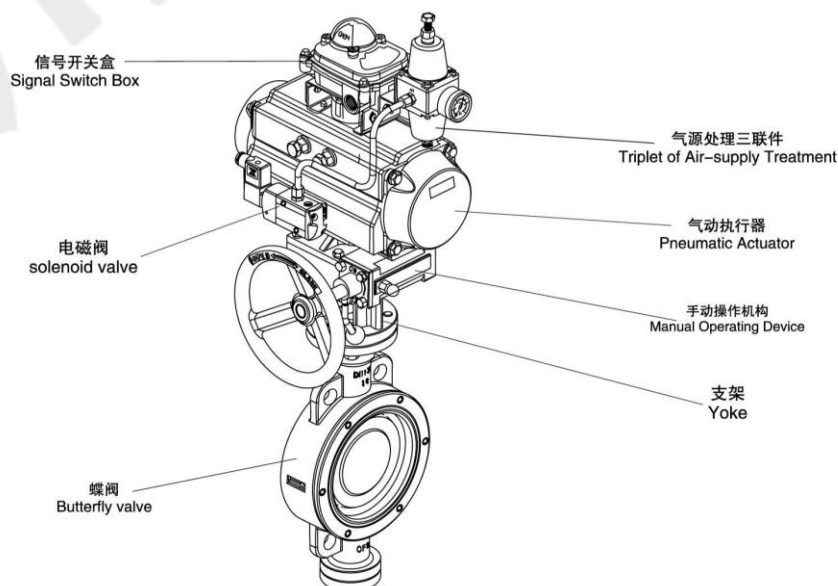
According to the different control and the request can choose the following accessories:

Shut-off Accessories: Single electrically-controlled magnetic valve. Double electrically-controlled Solenoid valve. signal saver of limit switch

Adjusting Accessories: EP/PP-positioner. electric-pneumatic converter.

Air-supply Treatment Accessories: air-filtering reducing valve. F.R.L. COMBINATION UNIT.

Manual Device: XLHJ Series





地址：上海市奉贤区金汇工业园金碧路 358 号
电话：86-021-5186 3046
传真：86-021-5186 3049
邮箱：chvalve@126.com
邮编：210404
网址：<http://www.chuanhuvalve.com>

Add: Shanghai Fengxian District Jinhui Industrial Garden Jinbi Road No. 358
Tel: 86-021-5186 3046
Fax: 86-021-5186 3049
Mail: chvalve@126.com
Code: 210404
Website: <http://www.chuanhuvalve.com>

