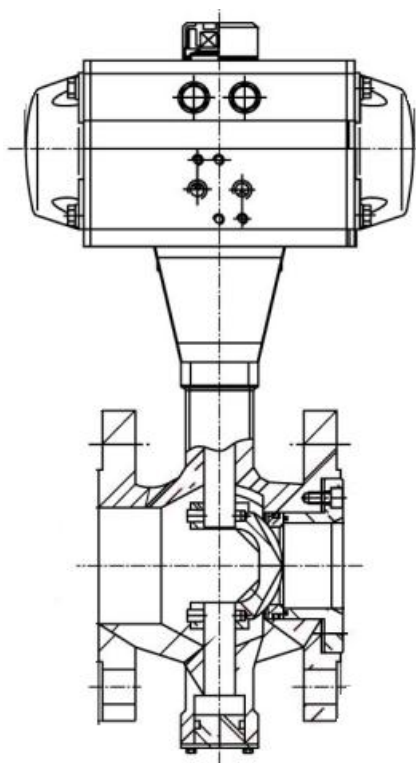


STANDARD SPECIFICATION

CHUANHU

气动法兰式 V 型球阀

Pneumatic Flange V-type ball valve



上海川沪阀门有限公司

ShangHai Chuanhu Valve CO.,LTD

概述

V型球阀适用于要求大调节比的控制系统，特别适用于泥浆和含有纤维介质，以及含有微小固体悬浮物介质的调节。因而广泛应用于石油、化工、制药、冶金、轻纺、造纸、污水处理等生产部门的气体、蒸汽、液体输送管道中介质流量调节，以达到生产过程按控制要求。

GENERAL

V-type ball valve suitable to large adjustment ratio control system, especially suitable for mud and contains fiber media, and regulation contain tiny suspended solid medium. It is widely used in petroleum, chemical, pharmaceutical, metallurgical, textile, papermaking, wastewater treatment and other production departments of the gas, steam, liquid pipeline medium flow control, to achieve the production process according to the control requirements.

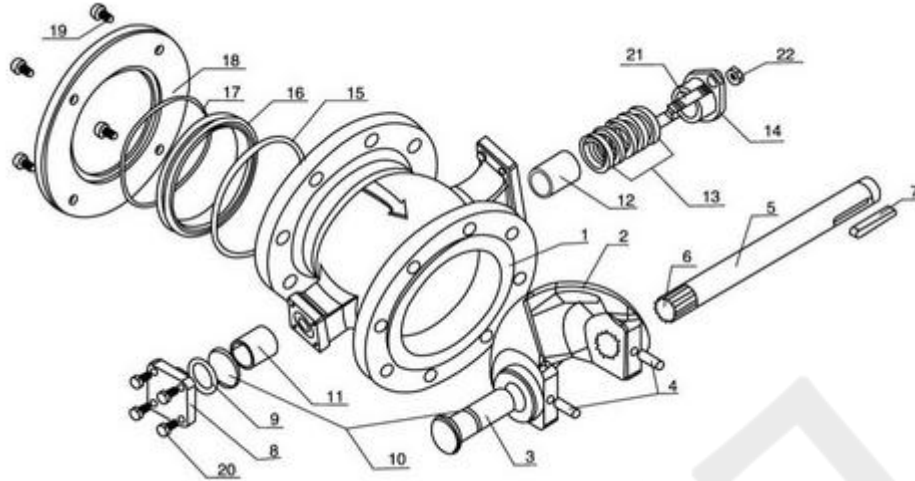
标准规格 STANDARD SPECIFICATION

公称通径 Body size	DN25~500
公称压力 Body ratings	PN1.6,4.0,6.4,10.0; ANSI Class 150,300,600; JIS 10K,30K,40K
尺寸标准 Dimension standard	国标、美标、日标 GB, American standard, Japanese standard
阀体材质 Body material	碳钢 Carbon steel(WCB), 不锈钢 Stainless steel(CF8, CF8M, CF3, CF3M)
阀座材质 Seat material	聚四氟乙烯 (F)、对位聚苯 (PPL)、尼龙 (N)、硬质合金 (H、Y) PTFE, PPL, N, H, Y
作用方式 Mode of action	双作用、单作用 (弹簧复位) Double-acting/Single-acting type(spring reposition)
控制方式 Control	开关型、调节型 Switch type, Adjust type
附件选择 Selection of Accessories	电磁阀、定位器、限位开关、气源三联件、手动机构 Solenoid valve, Locator, Limit switch, F.R.L. COMBINATION UNIT, Manual Device

设计依据 Design Basis	GB 标准 Standard
设计标准 Design standard	GB/12237 ANSI B16.34
连接法兰尺寸 Connecting Flange Size	GB/9113. JB/T79 ANSI B16.34
试验和检验 Test & inspection	JB/T9092 API598

※注：系列球阀结构长度及连接法兰尺寸可根据用户要求设计制造。

Note: The structural length and connecting flange size of ball valve series can be designed and manufactured as per users' requirements.

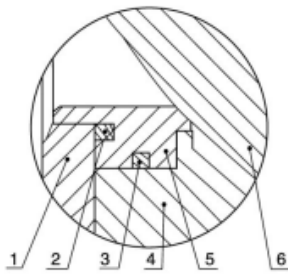
结构图和零件材质表 STRUCTURE AND MAIN MATERIAL TABLE


序号 No.	名称	Name	数量 (件) Quantity (pieces)	材料 Material
1	阀体	Body	1	WCB. CF8. CF8M. CF3. CF3M
2	阀芯	Spool	1	CF8、CF8M+镀硬铬
3	后阀杆	After steam	1	17-4PH. SS316
4	圆柱销	Cylindrical pin	2	SS304. SS316
5	前阀杆	Before steam	1	17-4PH. SS316
6	花键	Spline	1	17-4PH. SS316
7	平键	Flat key	1	Ss304、45#
8	后压盖	After gland	1	CF8. CF8M
9	O 形圈	"O"-Ring	1	氟橡胶 Viton
10	调整垫	Adjust pad	各 1	PTFE
11	自润滑轴承	Self-lubricating bearings	1	复合材料 Composite material
12	自润滑轴承	Self-lubricating bearings	1	复合材料 Composite material
13	填料	Packing	1 组	PTFE
14	填料压盖	Gland	1	CF8
15	O 形圈	" O"-Ring	1	氟橡胶 Viton
16	密封座	Seal block	1	PTFE、SS304、SS316+镀硬铬
17	密封座弹簧	Seal block spring	1	SS316
18	密封座盖	Sealing lid	1	Q235. SS304. SS316
19	内六角螺钉	inner Hexagon screw		SS304
20	六角螺钉	Hexagon screw	4	SS304
21	双头螺钉	Double-headed screw	2	SS304
22	六角螺母	Hexagon nut	2	SS304

※注：系列球阀结构长度及连接法兰尺寸可根据用户要求设计制造。

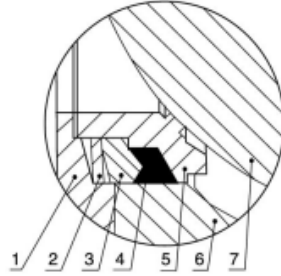
Note: The structural length and connecting flange size of ball valve series can be designed and manufactured as per users' requirements.

金属密封阀座
Metal sealing seat



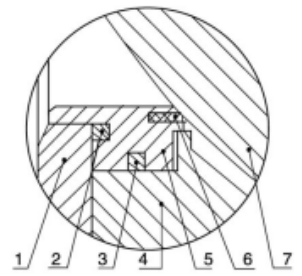
→ 流向 Flow

高温型金属密封阀座
High-temperature metal seal seat



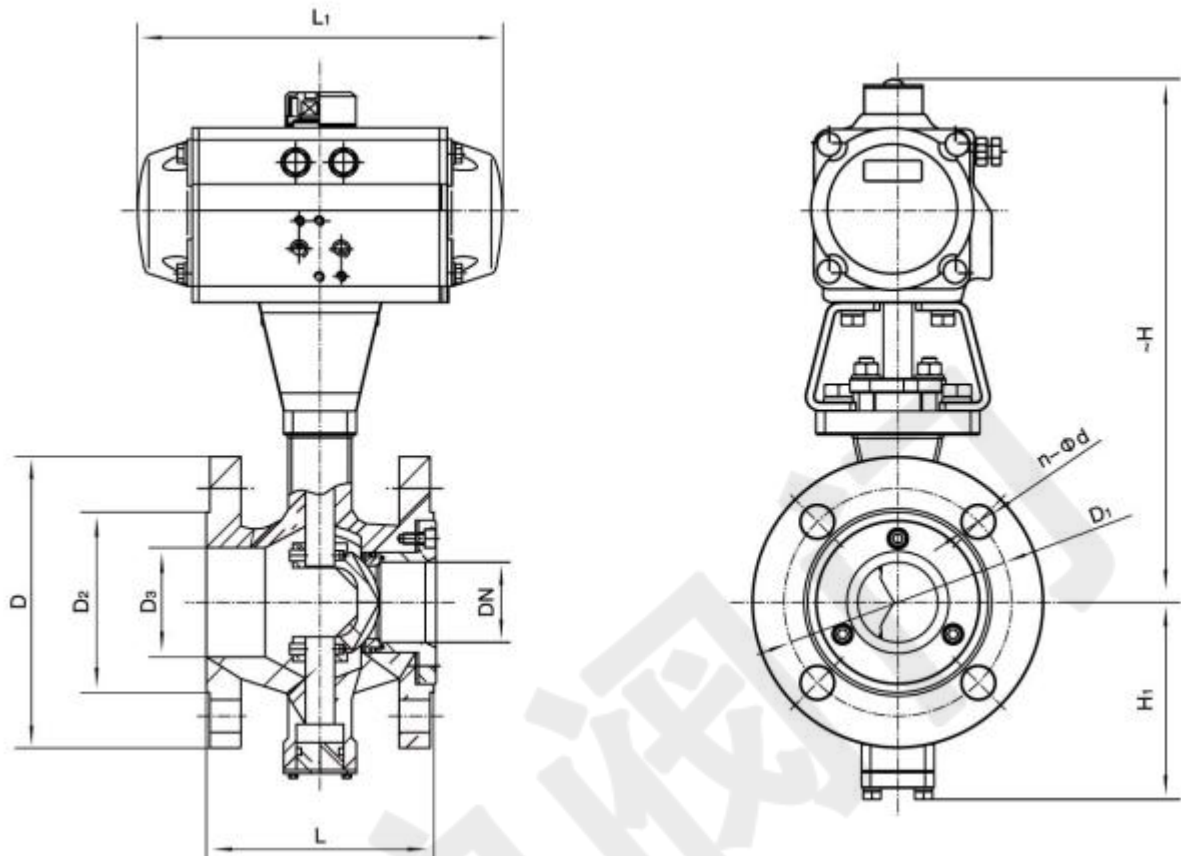
→ 流向 Flow

软阀座
Soft Seat



→ 流向 Flow

金属密封阀座 Metal sealing seat			
序号 No.	名称 Name	温度范围℃	Temperature range
1	密封阀盖 Seal Bonnet	-20~1600C -20~230'C	
2	弹簧 Spring		
3	O 形圈 “O“-Ring		
4	阀体 Body		
5	密封座 Seal Block		
6	阀芯 Spool		
高温型金属密封阀座 High-temperature metal seal seat			
序号 No.	名称 Name	温度范围℃	temperature range
1	密封阀盖 Seal Bonnet	-20—425C	
2	蝶簧 Butterfly Spring		
3	压圈 Flower ring		
4	石墨环 Graphite ring		
5	阀座 Seat		
6	阀体 Body		
7	阀芯 Spool		
软密封 Soft seat			
序号 No	名称 Name	温度范围℃	temperature range
1	密封阀盖 Seal Bonnet	-20—160℃	
2	弹簧 Spring		
3	O 形圈 “O “-Ring		
4	阀体 Body		
5	密封座 Seal Block		
6	密封固(PTFE) Seal Ring		
7	阀芯 Spool		

主要外形及连接法兰尺寸 MAIN OUTLINE AND CONNECTING FLANGE SIZE

PN16(1.6MPa) Dimension

公称通径 Nominal diameter DN	外形 / 连接尺寸 Outline/Connecting Size											执行器型号 Actuator Model
	L	L1	H	H1	D	D1	D2	D3	c	f	n-φd	
25	102	159/248	260/290	87	115	85	65	38	16	2	4-φ14	AT063D/AT088S
32	105	159/248	267/297	87	140	100	76	42	18	3	4-φ18	AT063D/AT088S
40	114	211/269	292/312	87	150	110	84	50	18	3	4-φ18	AT075D/AT100S
50	124	248/269	292/312	97	165	125	99	60	20	3	4-φ18	AT088D/AT100S
65	145	269/315	327/340	112	185	145	118	75	20	3	4-φ18	AT100D/AT115S
80	165	315/345	359/381	112	200	160	132	94	20	3	8-φ18	AT115D/AT125S
100	194	345/409	395/412	122	220	180	156	110	22	3	8-φ18	AT125D/AT145S
125	213	409/438	399/416	142	250	210	184	135	22	3	8-φ18	AT145D/AT160S
150	229	438/550	461/486	165	285	240	211	165	24	3	8-φ22	AT160D/AT190S
200	243	550/600	509/553	195	340	295	266	210	24	3	12-φ22	AT190D/AT210S
250	297	633/730	603/628	237	405	355	319	260	26	3	12-φ26	AT240D/AT270S
300	334	730	790/825	287	460	410	370	310	28	4	12-φ26	AT270D
350	414	1180	828/858	338	520	470	429	360	30	4	16-φ26	AW20
400	490	1180	1063/-	390	580	525	480	410	32	4	16-φ0	AW20
500	600	1320		510	715	650	609	510	36	4	16-φ33	AW25

PN25(2.5MPa) Dimension

公称通径 Nominal diameter DN	外形 / 连接尺寸 Outline/Connecting Size											执行器型号 Actuator Model
	L	L1	—H	H1	D	Di	D2	D3	c	f	n-φd	
25	102	159/248	260/290	87	115	85	65	38	16	3	4-φ14	AT063D/AT088S
32	105	159/248	267/297	87	140	100	76	42	18	3	4-φ18	AT063D/AT088S
40	114	211/269	292/312	87	150	110	84	50	18	3	4-φ18	AT075D/AT100S
50	124	248/315	312/325	97	165	125	99	60	20	3	4-φ18	AT088D/AT115S
65	145	315/345	340/362	112	185	145	118	75	22	3	8-φ18	AT115D/AT125S
80	165	345/409	381/398	112	200	160	132	94	24	3	8-φ18	AT125D/AT145S
100	194	345/409	395/412	122	235	190	156	110	24	3	8-φ22	AT125D/AT145S
125	213	409/438	416/441	142	270	220	184	135	26	3	8-φ26	AT145D/AT160S
150	229	438/550	486/530	165	300	250	211	165	28	3	8-φ26	AT160D/AT190S
200	243	550/600	553/578	195	360	310	274	210	30	3	12-φ26	AT190D/AT210S
250	297	633/730	628/673	237	425	370	330	260	32	3	12-φ30	AT240D/AT270S
300	334	730	725/755	281	485	430	389	310	34	4	16-φ30	AT270D
350	414	1180	858/-	338	555	490	448	360	38	4	16-φ33	AW20
400	490	1180	— / —	390	620	550	503	410	40	4	16-φ36	AW20
500	600	1320	-/-	510	730	660	609	510	44	4	20-φ36	AW25

Class 150lb Dimension

公称通径 Nominal diameter DN	外形 / 连接尺寸 Outline/Connecting Size											执行器型号 Actuator Model
	L	L1	—H	H1	D	D1	D2	D3	C	f	n-φd	
25	102	159/248	260/290	87	108	79.5	51	38	12	1.6	4-φ16	AT063D/AT088S
32	105	159/248	267/297	87	117	88.9	64	42	13	1.6	4-φ16	AT063D/AT088S
40	114	211/269	292/312	87	127	98.4	73	50	14.5	1.6	4-φ16	AT075D/AT100S
50	124	248/269	292/312	97	152	120.6	92	60	15.8	1.6	4-φ19	AT088D/AT100S
65	145	248/315	327/340	112	178	139.7	105	75	17.6	1.6	4-φ19	AT088D/AT115S
80	165	315/345	359/381	112	190	152.4	127	94	19.1	1.6	4-φ19	AT115D/AT125S
100	194	345/409	395/412	122	229	190.5	157	110	23.9	1.6	8-φ19	AT125D/AT145S
125	213	409/438	399/416	142	254	216	186	135	23.9	1.6	8-φ22	AT145D/AT160S
150	229	438/550	461/486	165	279	241.3	216	165	25.4	1.6	8-φ22	AT160D/AT190S
200	243	550/600	509/553	195	343	298.5	270	210	28.6	1.6	8-φ22	AT190D/AT210S
250	297	633/730	603/628	237	406	362	324	260	30.2	1.6	12-φ25	AT240D/AT270S
300	334	730	790/825	281	483	432	381	310	31.8	1.6	12-φ25	AT270D
350	414	1180	828/858	338	533	476	413	360	35	1.6	12-φ29	AW20
400	490	1180	1063/-	390	597	539.5	470	410	36.6	1.6	16-φ29	AW20
500	600	1320		510	698	635	584	510	42.9	1.6	20-0φ32	AW25

※注：系列球阀结构长度及连接法兰尺寸可根据 JB/T79 标准或用户要求设计制造。

※注：数据 XXX/XXX 分别是气动执行器双作用式，单作用式（弹簧复位）。

※注：根据不同阀门扭矩、使用介质适配的执行器型号可能有所不同，相关尺寸随之变化。

※注：以上执行器配置及数据均采用软密封(F、N、P)阀门，硬密封阀门的配置及数据请咨询本公司。

Note: The structural length and connecting flange size of ball valve series can be designed and manufactured as per JB/T79 standard or users' requirements

Note: Data XXX/XXX represent respectively the double-acting/single-acting type(spring reposition)of pneumatic actuator

Note: The relative sizes are subject to change responding to the difference in valve torque, medium and actuator model

川沪阀门

订货须知 ORDERING INFORMATION

代号 Code	材料 Material	适用温度(°C)Applicable Temperature
F	增强聚四氟乙烯 Reinforced Polytetrafluoroethylene(PTFE)	-40-180
PPL	对位聚苯 Polyparaphenylene	-40-300
N	尼龙 Nylon	-20-80
Y	硬质合金 Hard Alloy	-40-425

根据不同控制和要求可选择下列附件:

切断型附件: 单电控电磁阀、双电控制电磁阀、限位开关回讯器。

调节型附件: 电-气定位器、电气转换器。

气源处理附件: 空气过滤减压阀、气源处理三联件。

手动机构: XLHJ 系列

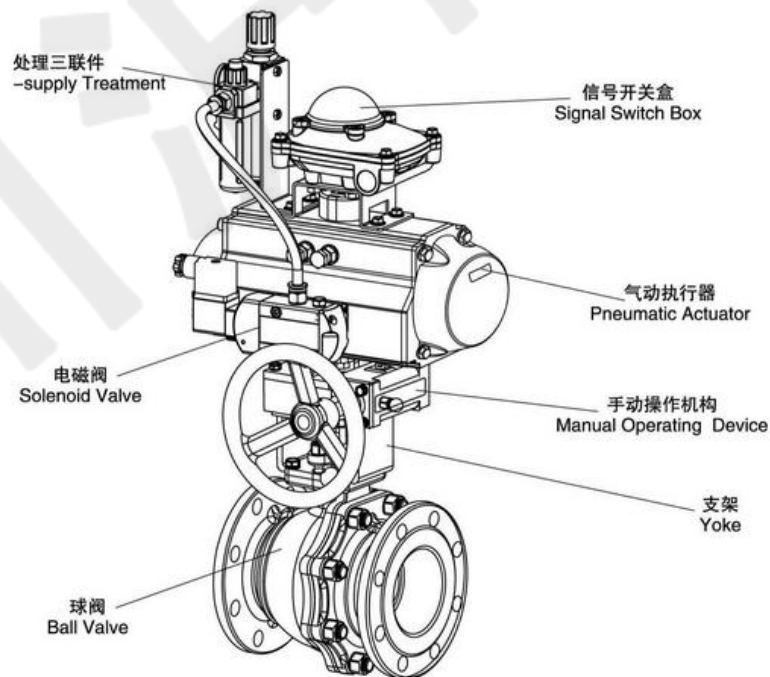
According to the different control and the request can choose the following accessories:

Shut-off Accessories: Single electrically-controlled magnetic valve. Double electrically-controlled Solenoid valve. signal saver of limit switch

Adjusting Accessories: EP/PP-positioner. electric-pneumatic converter.

Air-supply Treatment Accessories: air-filtering reducing valve. F.R.L. COMBINATION UNIT.

Manual Device: XLHJ Series





地址：上海市奉贤区金汇工业园金碧路 358 号
电话：86-021-5186 3046
传真：86-021-5186 3049
邮箱：chvalve@126.com
邮编：210404
网址：<http://www.chuanhuvalve.com>

Add: Shanghai Fengxian District Jinhui Industrial Garden Jinbi Road No. 358
Tel: 86-021-5186 3046
Fax: 86-021-5186 3049
Mail: chvalve@126.com
Code: 210404
Website: <http://www.chuanhuvalve.com>

